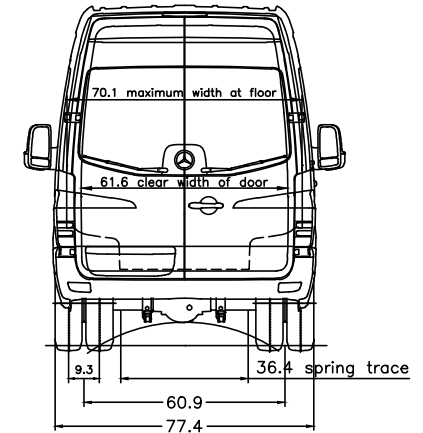


Hecktueroeffnung 90°/180°
(rear door opening)
Sonderausrustung 260°
(optional equipment)



Important notes:
- It is the responsibility of the bodybuilder to ensure that the vehicle is suitable for homologation after the body has been mounted.
- The drawing is simplified to some extent and is not legally binding. For more details and further explanations please see the Mercedes-Benz User Guide in the bodybuilder portal.
- Please check whether the drawing specification complies with the chassis configuration of your order.
- Optional equipment codes not listed here, KW-codes and changes resulting from feasibility checks (BBA) are not included in the drawing.

- 103 Sprinter standard
- 108 Wheelbase 4225 mm, overhang 1415 mm
- 109 Engine OM 602 DE 20 LA 140 kW (190 hp) 3800 rpm
- 107 Engine, low-emission EPA 16/CW6
- 107 Tyres LT 215/65 R16
- 104 Adjustable co-drivers seat
- 116 Sliding door right
- 120 Fovett
- 203 AP-wheel-drive, engageable, with low range
- 240 Panel van
- D03 High roof
- D05 High roof
- D50 Full-length partition

vehicle type :	loading space =	494 cu.ft.	H	G	unladen	unladen	α°	β°	δ°	All dimensions refer to the standard version. Measurements of laden vehicle.	the reserve of rights for this drawing. The drawing may neither be copied nor passed on to any third person.
906.655-13	76.4 sq.ft.		24.8	28.6	107.4	26	27	18		Our instructions for the manufacturer of superstructures must be observed, when planning in fit bodies of other than Mercedes-Benz manufacturers.	Dimensions are subject to a tolerance of up to +/- 3%.
tyres	205/75R16 205/75R16	gross vehicle weight	GW (t)	FA (t)	RA (t)	Subject to change.					
			2269	907							
											23.04.15
											2025 Date Order no.
											2025 Date Order no.
											Abt. (Dept.) TE/SOD 70546 Stuttgart
											3500/4x2/170.3
											Mercedes-Benz HVA 9061000253