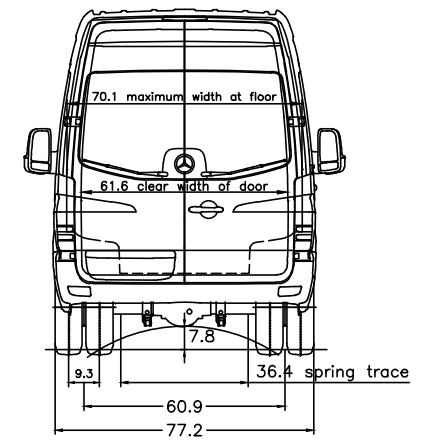


Hecktueroeffnung 90°/180°
(rear door opening)
Sonderausrustung 260°
(optional equipment)



Important notes:
 - It is the responsibility of the bodybuilder to ensure that the vehicle is suitable for homologation after the body has been mounted.
 - The drawing is simplified to some extent and is not legally binding. For more details and further explanations please see the MBAC-Info User Guide in the bodybuilder portal.
 - Please check whether the drawing specification complies with the chassis configuration of your order.
 - Optional equipment codes not listed here, KW-codes and changes resulting from feasibility checks (BBA) are not included in the drawing.

D00 Full-length partition
 D03 Sprinter standard
 H07 Wheelbase 4320 mm, overhang 2010 mm
 M03 Engine OM 691 DE 22 LA 120 kW (163 hp) 3800 rpm
 M05 Engine low-emission EPA 14/0408
 M07 Tyres LT 215/85 R16
 S04 Adjustable co-driver's seat
 T16 Sliding door right
 X00 Fawcett
 X06 Panel van

vehicle type :	loading space =	547 cu.ft.	H		G		alpha		beta		All dimensions refer to the standard version. Measurements of laden vehicle.		The reserve of rights for this drawing/the drawing may neither be copied nor passed on to any third person.
906.657-13	84 sq.ft.	24.8	27	111	18	10	14	Our instructions for the manufacture of superstructures must be observed, when planning in fit bodies of other than Mercedes-Benz manufacturers.		Dimensions are subject to a tolerance of up to +/- 3%			
tyres	215/85R16 215/85R16	gross vehicle weight	GW (t)	FA (t)	RA (t)	Subject to change.		23.04.15		Cargo Van/Crew Van		Adig (Lept.)/TE/800 70546 Stuttgart Mercedes-Benz 3500/4x2/170.3 HVA 9061000257	
			2269	839					2025	Date	2025		Date