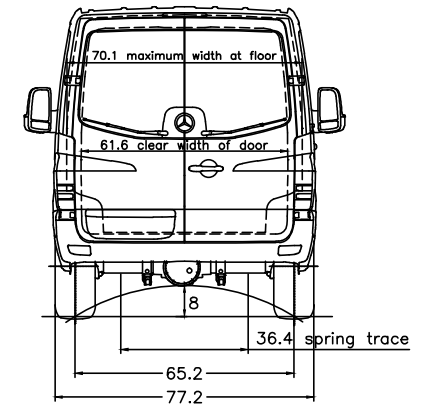


Heckueroeffnung 90°/180°
(rear door opening)
Sonderausrustung 260°
(optional equipment)



Important notes:
 - It is the responsibility of the bodybuilder to ensure that the vehicle is suitable for homologation after the body has been mounted.
 - The drawing is simplified to some extent and is not legally binding. For more details and further explanations please see the Mercedes-Benz User Guide in the bodybuilder portal.
 - Please check whether the drawing specification complies with the chassis configuration of your order.
 - Optional equipment codes not listed here, KW-codes and changes resulting from feasibility checks (BBA) are not included in the drawing.

D50 Full-length partition
 D64 Wheelbase 3685 mm
 M33 Engine OM 901 EC 32 LA 120 kW (163 hp) 3800 rpm
 M40 Engine low-emission EPA 14/CAEP
 M16 Super-slim tyres 285/60 R16 C
 S04 Adjustable co-driver seat
 T16 Sliding door right
 T44 Weight variant 4,800 kg
 Z30 F-act
 Z40 Panel van

vehicle type :	loading space =	318 cu.ft.									All dimensions refer to the standard version. Measurements of laden vehicle.		The reserve of rights for this drawing/the drawing may neither be copied nor passed on to any third person.	
			H	G	α°	β°	δ°	Our instructions for the manufacturer of superstructures must be observed, when planning in fit bodies of other than Mercedes-Benz manufacturers.		Dimensions are subject to a tolerance of up to +/- 3%				
906.653-13	58.1 sq.ft.		unladen	unladen	18	12	17							
			25.1	27.6	99.8									
tyres	205/75R16 285/65R16	gross vehicle weight	GW (t)	FA (t)	RA (t)	Subject to change.								Cargo Van/Crew Van
			2087	839										Abtlg. (Dept.) TE/SOD 70546 Stuttgart
														3500/4x2/144.3
														HVA 9061000213
														Mercedes-Benz