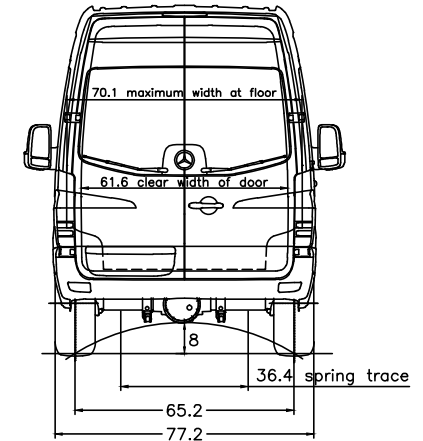


Heckueroeffnung 90°/180°
(rear door opening)
Sonderausrustung 260°
(optional equipment)



Important notes:
- It is the responsibility of the bodybuilder to ensure that the vehicle is suitable for homologation after the body has been mounted.
- The drawing is simplified to some extent and is not legally binding. For more details and further explanations please see the MBAC-Free User Guide in the bodybuilder portal.
- Please check whether the drawing specification complies with the chassis configuration of your order.
- Optional equipment codes not listed here, KW-codes and changes resulting from feasibility checks (BBA) are not included in the drawing.

D00 Full-length partition
D04 Wheelbase 3685 mm
M03 Engine OM 662 DC 3D LA 140 kW (190 hp) 3800 rpm
M02 Engine low-emission EPA 14/CAEP
H06 Super-slim tyres 285/60 R16 C
S04 Adjustable co-drivers seat
T16 Sliding door right
Z04 Weight variant 4,800 kg
Z00 F040H
Z00 F040H
Z00 F040H

D03 High roof
Z03 High roof

vehicle type :	loading space =	371 cu.ft.	H		G		α°		β°		γ°		All dimensions refer to the standard version. Measurements of laden vehicle.		The reserve of rights for this drawing/the drawing may neither be copied nor passed on to any third person.	
906.653-13	58.1 sq.ft.		unladen	unladen	111	18	12	17	Our instructions for the manufacturer of superstructures must be observed, when planning in fit bodies of other than Mercedes-Benz manufacturers.			Dimensions are subject to a tolerance of up to +/- 3%				
tyres	205/75R16 285/65R16	gross vehicle weight	GW (t)	FA (t)	RA (t)	Subject to change.						Cargo Van/Crew Van				
			2087	839								Abbig.(Lept.)TE/500 70546 Stuttgart				
												3500/4x2/144.3 HVA 9061000224				
												Mercedes-Benz				