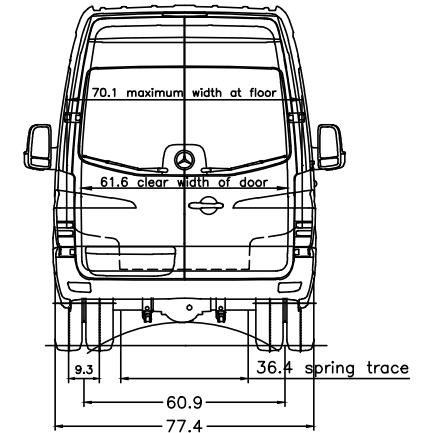


Heckueroeffnung 90°/180°
(rear door opening)
Sonderausrustung 260°
(optional equipment)



D03 High roof
D03 High roof
D50 Full-length partition

I03 Sprinter standard
R04 Wheelbase 3685 mm
M03 Engine OM 502 DE 3D LA 140 kW (190 hp) 3800 rpm
M07 Engine, low-emission EPA 16/CW0
M07 Tyres LT 215/85 R16
S04 Adjustable co-drivers seat
T16 Sliding door right
T60 Fowelt
Z03 AP-wheel-drive, engageable, with low range
Z60 Panel van

Important notes:
- It is the responsibility of the bodybuilder to ensure that the vehicle is suitable for homologation after the body has been mounted.
- The drawing is simplified to some extent and is not legally binding. For more details and further explanations please see the MBAC-Info User Guide in the bodybuilder portal.
- Please check whether the drawing specification complies with the chassis configuration of your order.
- Optional equipment codes not listed here, KW-codes and changes resulting from feasibility checks (BBA) are not included in the drawing.

vehicle type :	loading space =	H		G		α°	β°	δ°	All dimensions refer to the standard version. Measurements of body vehicle.	The reserve of rights for this drawing/the drawing may neither be copied nor passed on to any third person.
		unladen	unladen	unladen	unladen					
906.653-13	56 sq.ft.	24.8	28.9	107.6	26	27	21		Our instructions for the manufacturer of superstructures must be observed, when planning in fit bodies of other than Mercedes-Benz manufacturers.	Dimensions are subject to a tolerance of up to +/- 3% The drawing is simplified to some extent and is not legally binding. For more details and further explanations please see the MBAC-Info User Guide in the bodybuilder portal. Please check whether the drawing specification complies with the chassis configuration of your order. Optional equipment codes not listed here, KW-codes and changes resulting from feasibility checks (BBA) are not included in the drawing.
tyres	205/75R16 205/75R16	gross vehicle weight	GW (t)	FA (t)	RA (t)	Subject to change.				
			2269	907						
									23.04.15	
									2025 Date	Order no.
									2025 Date	Order no.

Cargo Van/Crew Van
Abbig. (Dept.) TE/SOD
70546 Stuttgart
3500/4x2/144.3
HVA 9061000228
Mercedes-Benz