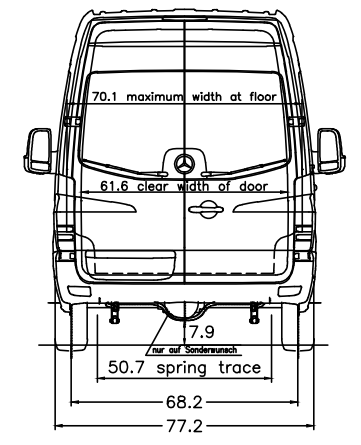


Heckueroeffnung 90°/180°
(rear door opening)
Sonderausrustung 260°
(optional equipment)



D03 High roof
D03 High roof
D20 Full-length partition

M23 Sprinter standard
M04 Wheelbase 3685 mm
M03 Engine OM 501 EC 22 LA 120 kW (163 hp) 3800 rpm
M02 Engine low-emission EPA 14/CAEP
M08 Tyres LT 245/75 R16
M04 Adjustable co-drivers seat
M16 Sliding door right
M12 Higher weight 3,800 kg
M30 Fawcett
M40 Panel van

Important notes:
- It is the responsibility of the bodybuilder to ensure that the vehicle is suitable for homologation after the body has been mounted.
- The drawing is simplified to some extent and is not legally binding. For more details and further explanations please see the M&AC-Truck User Guide in the bodybuilder portal.
- Please check whether the drawing specification complies with the chassis configuration of your order.
- Optional equipment codes not listed here, KW-codes and changes resulting from feasibility checks (BBA) are not included in the drawing.

vehicle type :	loading space =	371 cu.ft.	H		G		α°	β°	δ°	All dimensions refer to the standard version. Measurements of laden vehicle.	
			unladen	unladen	unladen	unladen					
906.633-13	59.2 sq.ft.		23.6	25.7	107.7	18	16	16	16	Our instructions for the manufacture of superstructures must be observed, when planning in fit bodies of other than Mercedes-Benz manufacturers.	Dimensions are subject to a tolerance of up to +/- 3%.
tyres	245/75R16 245/75R16		gross vehicle weight		GW (t)	FA (t)	RA (t)	Subject to change.			
					1759	816					
										23.04.15	
										2025 Date	Order no.
										2025 Date	Order no.

Cargo Van/Crew Van
Abbig. (Sept.) TE/SOD
70546 Stuttgart
2500/4x2/144.3
HVA 9061000164
Mercedes-Benz