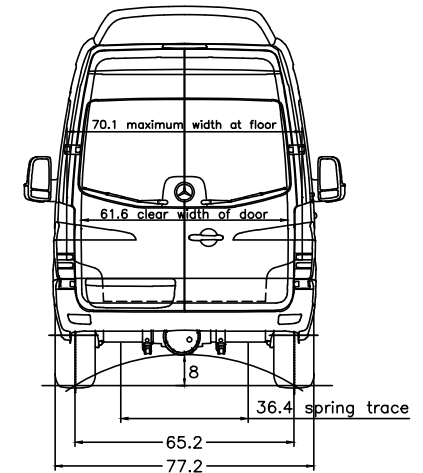


Hecktueroeffnung 90°/180°
(rear door opening)
Sonderausrustung 260°
(optional equipment)



D06 Super-high roof painted in vehicle colour
D08 Super-high roof painted in vehicle colour

- D00 Full-length partition
- R07 Wheelbase 4325 mm, overhang 2015 mm
- N03 Engine OM 602 DE 20 144 kW (195 hp) 3800 rpm
- M07 Engine, low-emission EPA 16/CW08
- H08 Super-elastic tyres, 285/60 R16 C
- S04 Adjustable co-drivers seat
- T16 Sliding door right
- T04 Weight variant 4,800 kg
- Z00 Facelift
- Z00 Facelift

Important notes:
- It is the responsibility of the bodybuilder to ensure that the vehicle is suitable for homologation after the body has been mounted.
- The drawing is simplified to some extent and is not legally binding. For more details and further explanations please see the MBAC-Info User Guide in the bodybuilder portal.
- Please check whether the drawing specification complies with the chassis configuration of your order.
- Optional equipment codes not listed here, KW-codes and changes resulting from feasibility checks (BBA) are not included in the drawing.

vehicle type :	loading space =	600.3 cu.ft.	H		G		α°		β°		γ°		All dimensions refer to the standard version. Measurements of laden vehicle.		The reserve of rights for this drawing/the drawing may neither be copied nor passed on to any third person.	
906.657-13	86.1 sq.ft.		unladen	unladen	18	15	14	Our instructions for the manufacture of superstructures must be observed, when planning in fit bodies of other than Mercedes-Benz manufacturers.					Dimensions are subject to a tolerance of up to +/- 3%			
tyres	205/75R16 285/65R16	gross vehicle weight	GW (t)	FA (t)	RA (t)	Subject to change.						Cargo Van/Crew Van				
			2087	839										23.04.15	Abtlg. (Dept.) TE/SDD 70546 Stuttgart	3500/4x2/170.3
														Mercedes-Benz		HVA 9061000284