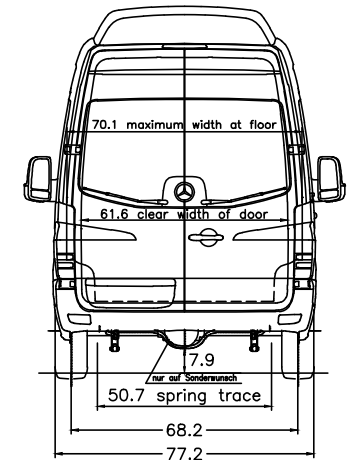


Hecktueroeffnung 90°/180°
(rear door opening)
Sonderausrustung 260°
(optional equipment)



Important notes:
- It is the responsibility of the bodybuilder to ensure that the vehicle is suitable for homologation after the body has been mounted.
- The drawing is simplified to some extent and is not legally binding. For more details and further explanations please see the Mercedes-Benz User Guide in the bodybuilder portal.
- Please check whether the drawing specification complies with the chassis configuration of your order.
- Optional equipment codes not listed here, KW-codes and changes resulting from feasibility checks (BBA) are not included in the drawing.

- 103 Sprinter standard
- 107 Wheelbase 4325 mm, overhang 2015 mm
- 103 Engine OM 681 DC 22 14 120 kW (163 hp) 3800 rpm
- 104 Engine 100-entlasten EPA 14/CAEB
- 108 Tyres 17 245/75 R16
- 104 Adjustable co-driver seat
- 116 Sliding door right
- 12.0 Higher weight 3,800 kg
- 230 Front
- 240 Panel van

- D05 Super-high roof
- D05 Super-high roof
- D20 Full-length partition

vehicle type :	loading space =	600.3 cu.ft.	H		G		alpha		beta		delta		All dimensions refer to the standard version. Measurements of laden vehicle.		The reserve of rights for this drawing/the drawing may neither be copied nor passed on to any third person.	
906.637-13	84 sq.ft.		23.7	25.4	112.6	18	10	13	Our instructions for the manufacture of superstructures must be observed, when planning in fit bodies of other than Mercedes-Benz manufacturers.			Dimensions are subject to a tolerance of up to +/- 3%				
tyres	245/75R16	gross vehicle weight	GW (t)	FA (t)	RA (t)	Subject to change.						Cargo Van/Crew Van				
	245/75R16		1759	816								Abtlg.(Lept.)TE/SOD 70546 Stuttgart				
														2500/4x2/170.3		
														Mercedes-Benz HVA 9061000196		