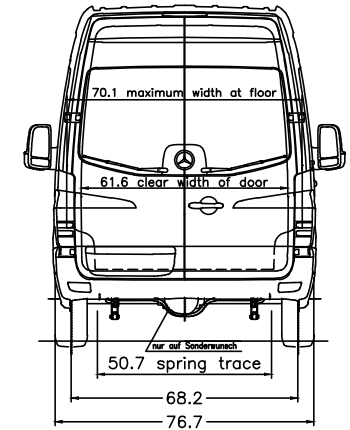


Heckueroeffnung 90°/180°
(rear door opening)
Sonderausrustung 260°
(optional equipment)



Important notes:
- It is the responsibility of the bodybuilder to ensure that the vehicle is suitable for homologation after the body has been mounted.
- The drawing is simplified to some extent and is not legally binding. For more details and further explanations please see the MBAC-Truck User Guide in the bodybuilder portal.
- Please check whether the drawing specification complies with the chassis configuration of your order.
- Optional equipment codes not listed here, KW-codes and changes resulting from feasibility checks (BBA) are not included in the drawing.

- R04 Wheelbase 3865 mm
- M05 Engine Oil 242 DE 30 LA 140 kW (190 hp) 2800 rpm
- M06 Engine low-emission EPA 14/20km
- R08 Tyres LT 240/70 R16
- S04 Adjustable co-drivers seat
- T16 Sliding door right
- Z10 Higher weight 3,800 kg
- Z60 Fovett
- Z01 All-wheel drive, engageable
- Z60 Panel van

- D03 High roof
- D03 High roof
- D00 Full-length partition
- K23 Sprinter standard

vehicle type :	loading space =	371 cu.ft.	H		G		α° β°		All dimensions refer to the standard version. Measurements of laden vehicle.		The reserve of rights for this drawing/the drawing may neither be copied nor passed on to any third person.	
			unladen	unladen			27	28	22	Our instructions for the manufacture of superstructures must be observed, when planning in fit bodies of other than Mercedes-Benz manufacturers.		Dimensions are subject to a tolerance of up to +/- 3%
906.633-13	59.2 sq.ft.		25.4	29.8	108.5							
tyres	225/75R16		gross vehicle weight		GW (t)	FA (t)	RA (t)	Subject to change.		Cargo Van/Crew Van		
	225/75R16				1759	816				Abbig.(Dept.)TE/SOD 70546 Stuttgart		
										2500/4x2/144.3		
										Mercedes-Benz HVA 9061000170		