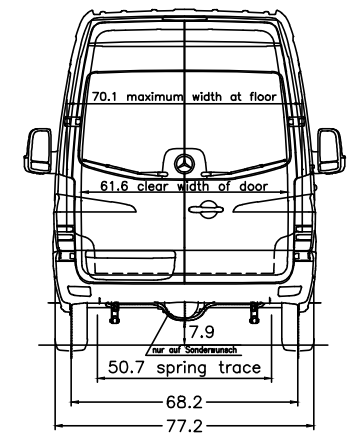


Hecktueroeffnung 90°/180°  
(rear door opening)  
Sonderausrustung 260°  
(optional equipment)



**Important notes:**  
 - It is the responsibility of the bodybuilder to ensure that the vehicle is suitable for homologation after the body has been mounted.  
 - The drawing is simplified to some extent and is not legally binding. For more details and further explanations please see the MBAC-Info User Guide in the bodybuilder portal.  
 - Please check whether the drawing specification complies with the chassis configuration of your order.  
 - Optional equipment codes not listed here, KW-codes and changes resulting from feasibility checks (BBA) are not included in the drawing.

- 103 Sprinter standard
- 107 Wheelbase 4325 mm, overhang 2015 mm
- 103 Engine OM 681 DC 22 14 120 kW (163 hp) 3800 rpm
- 104 Engine 100-entlastet EPA 14/CA98
- 108 Tyres LT 245/75 R16
- 104 Adjustable co-drivers seat
- 116 Sliding door right
- 12.0 Higher weight 3,880 kg
- 230 Facelift
- 240 Panel van
- D03 High roof
- D03 High roof
- D20 Full-length partition

vehicle type	loading space =	H		G		$\alpha^\circ$	$\beta^\circ$	$\delta^\circ$	All dimensions refer to the standard version. Measurements of laden vehicle.		The reserve of rights for this drawing/the drawing may neither be copied nor passed on to any third person.
		unladen	unladen	unladen	unladen						
906.637-13	84 sq.ft.	23.7	25.4	107.5	18	10	13	Our instructions for the manufacturer of superstructures must be observed, when planning in fit bodies of other than Mercedes-Benz manufacturers.		Dimensions are subject to a tolerance of up to +/- 3%	
tyres	245/75R16 245/75R16	gross vehicle weight		GW (t)	FA (t)	RA (t)	Subject to change.		23.04.15	Cargo Van/Crew Van	
				1759	816				2025	2500/4x2/170.3 HVA 9061000195	

